



KNIGHT
TABLE SPORT

ASSEMBLY
INSTRUCTIONS

X-12

OUTDOOR



www.knighttablesport.co.uk



Before starting to assemble the table tennis table, or using it for the first time, please read the assembly and operating instructions very carefully. They contain important advice for safety when using the table. Please keep these instructions for information, maintenance or ordering spare parts.



Assembly requires 2 adults during all stages.

All the tools required to complete the assembly are included with the table.

Assembly should be carried out on a clean, dry, soft floor. Please ensure there is nothing on the floor that could scratch the table tops.

Before commencing the assembly, check all parts against the parts list and make sure they are all present and correct.

Please follow the ABC references for the order of the assembly.

If there is a **text mark**, please read the explanation on page 9.

If there is a **part mark**, please read the information relating to it in the parts list on page 11.



—— Text mark

13

—— Part mark



—— Tool

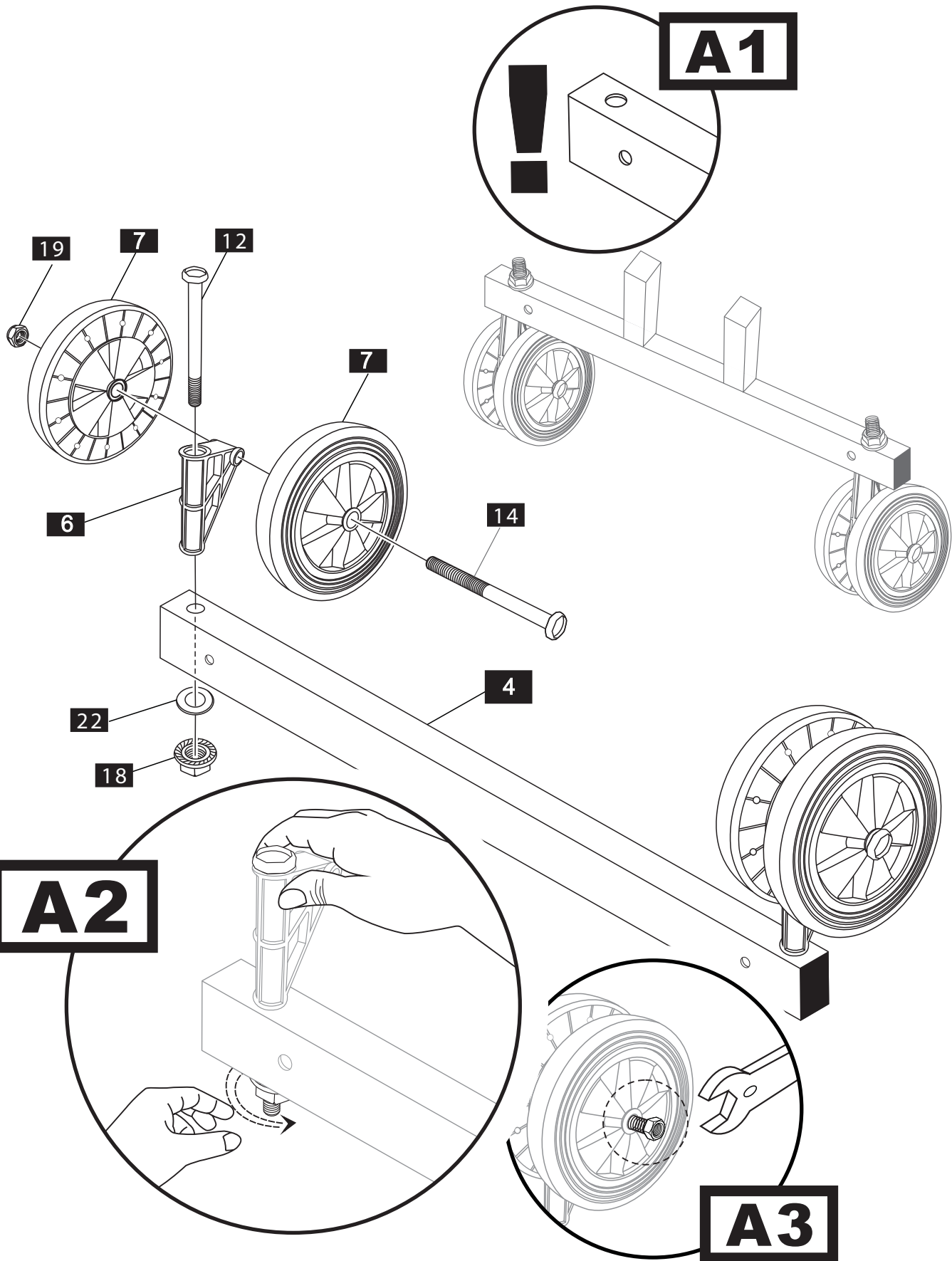
Note on Safety

- The table tennis table should be used only for its intended purpose.
- All other uses are prohibited and may be dangerous. The manufacturer cannot be held liable for damage or injury caused by improper use of the table.
- Damaged or worn components may endanger your safety or shorten the lifespan of the table tennis table. Replace worn or damaged components immediately and remove the table from use until this has been done. Only use spare parts manufactured by KNIGHT.
- Incorrect repairs, alterations to the design (removal of original parts, addition of other components etc.) may endanger the safety of the user.
- Adult supervision is required. Instruct others using the table in its correct use. Please draw their attention to any potential source of danger, especially when setting up or dismantling the table.
- When setting up or dismantling the table, stay clear of its folding radius.
- When folded up, the table tennis table presents a large surface area to the wind. For this reason, ensure that it is stored in a sheltered position.
- The table tennis table should only be moved in the transport position as otherwise it may cause injury or damage.
- Depending on frequency of use, check all screws, bolts etc. regularly to ensure that they are in good condition.
- Caution: While assembling the product, keep out of the reach of children (choking hazard - contains small parts)

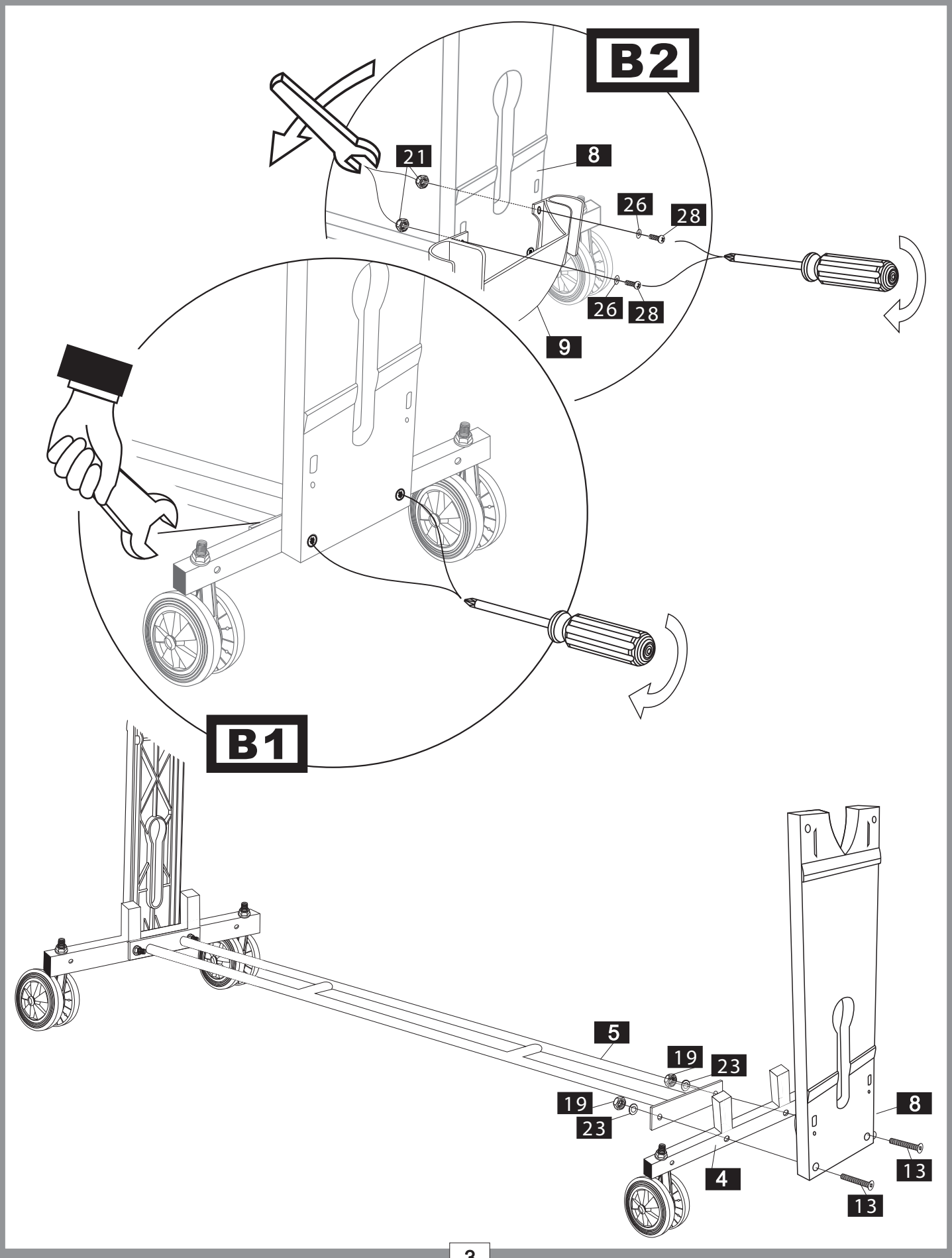
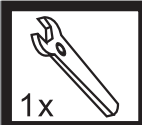
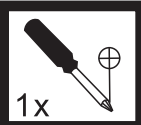
Handling the equipment

- Do not use the table tennis table until it has been fully and correctly assembled and checked.
- Do not use corrosive or abrasive materials to clean the equipment. In most cases, a damp cloth is sufficient. Specialist cleaning products are available.
- Set the table up on a level surface.

A



B

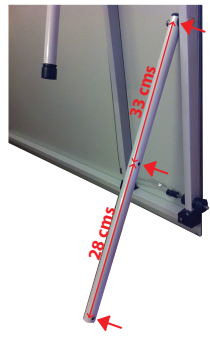


C

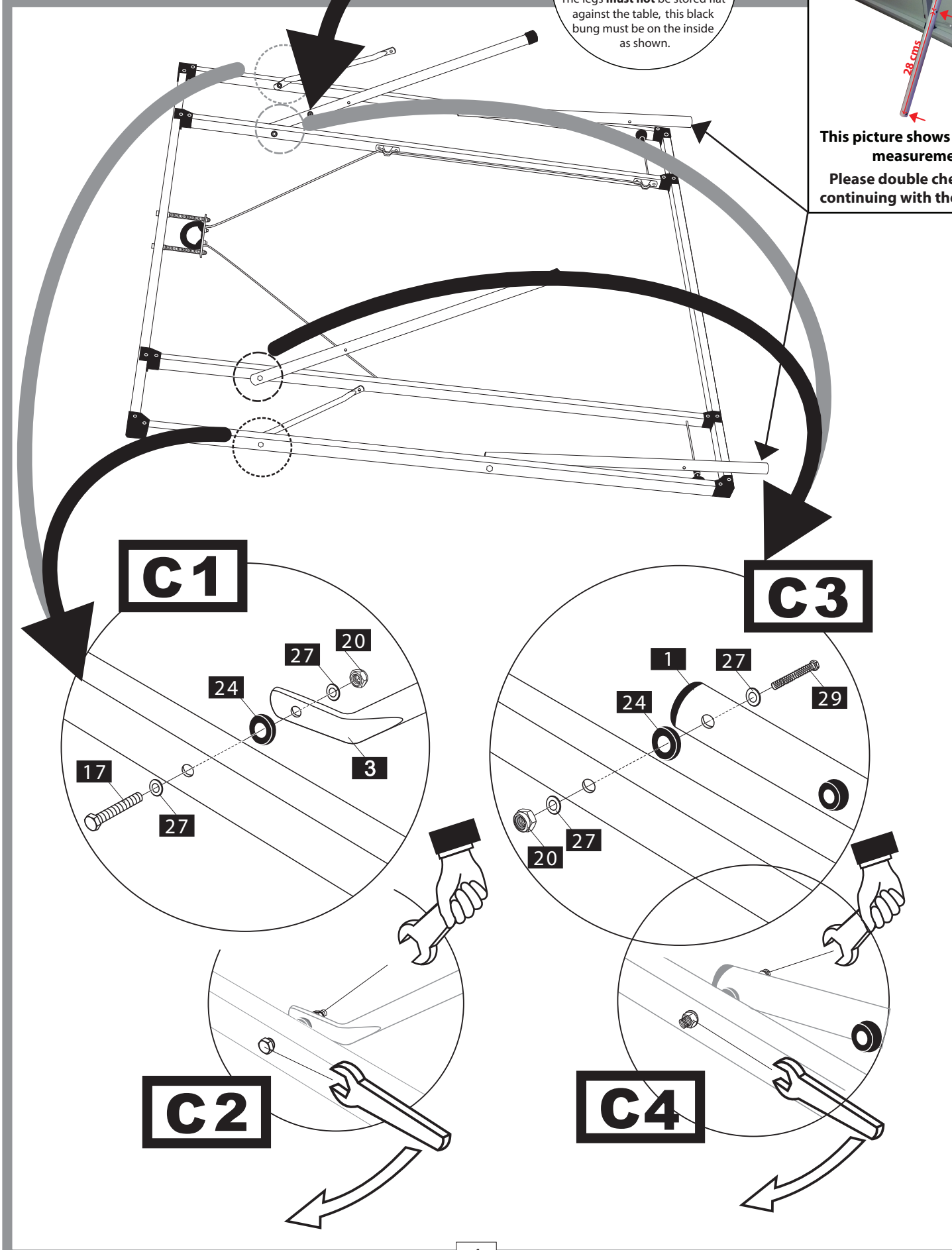


IMPORTANT!

The legs **must not** be stored flat against the table, this black bung must be on the inside as shown.



This picture shows the correct measurements.
Please double check before continuing with the assembly.



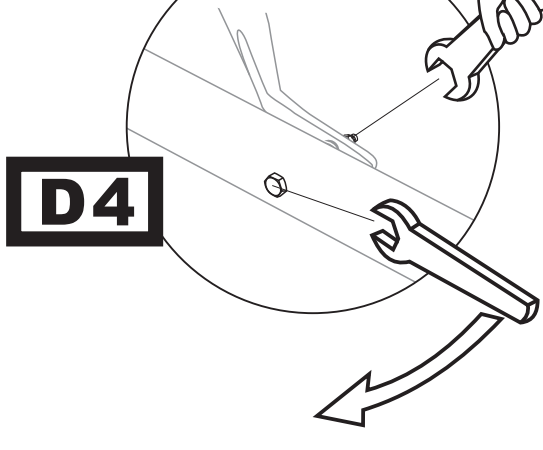
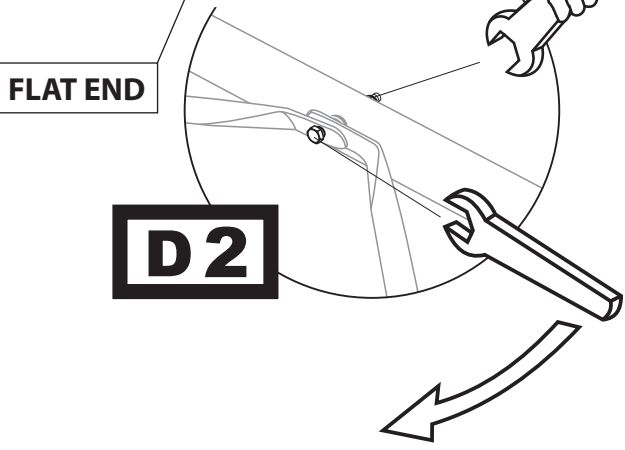
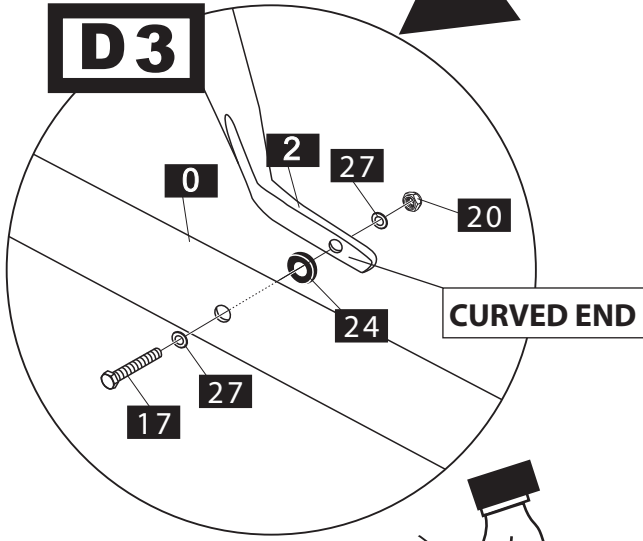
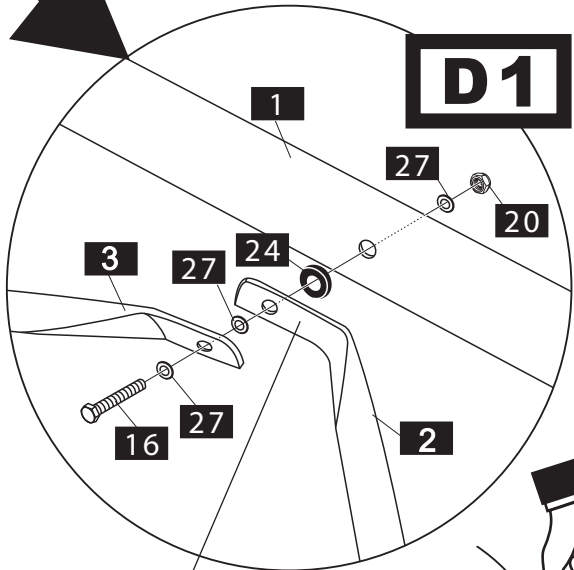
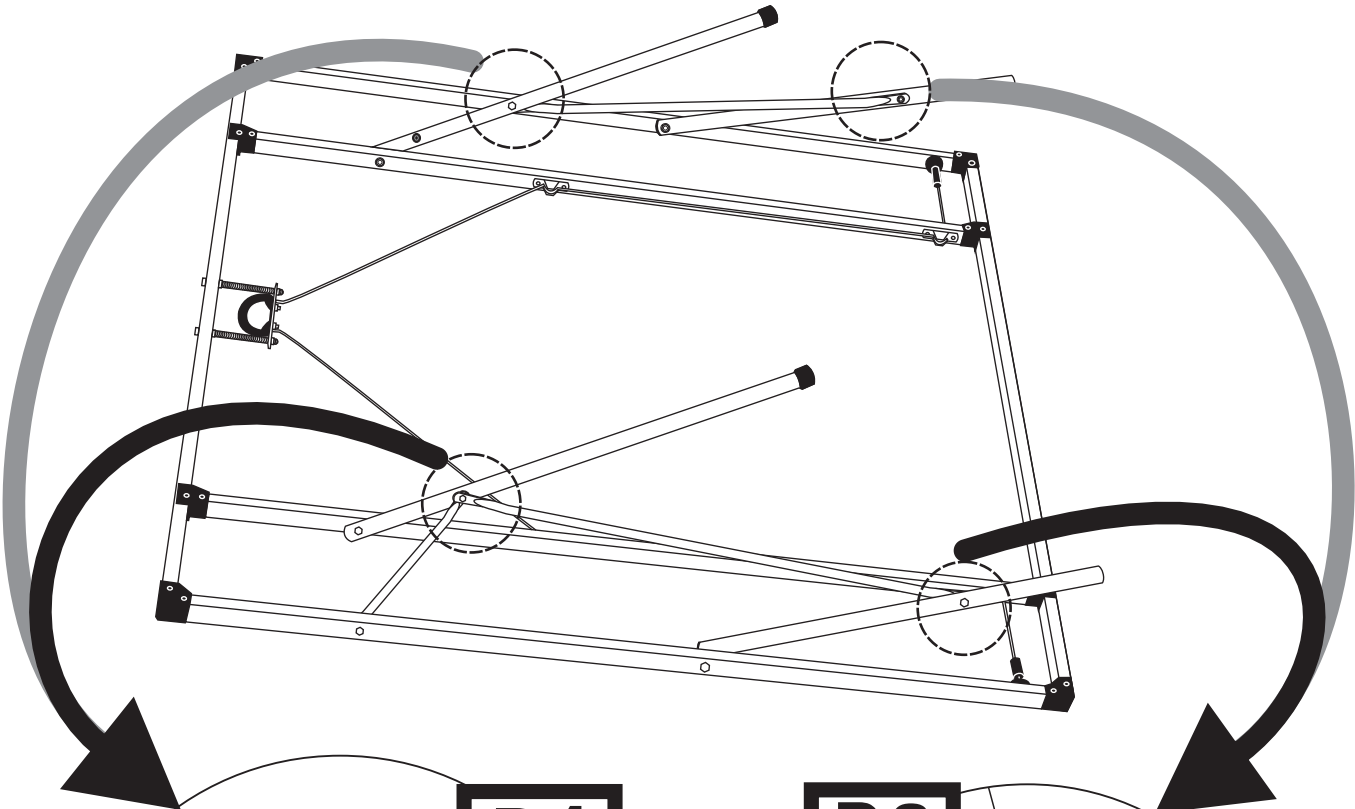
C1

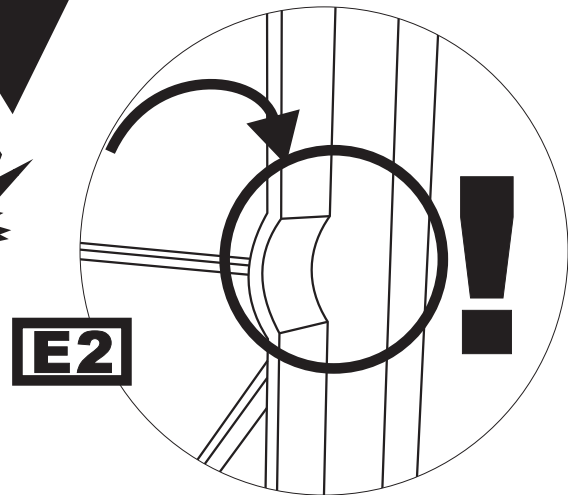
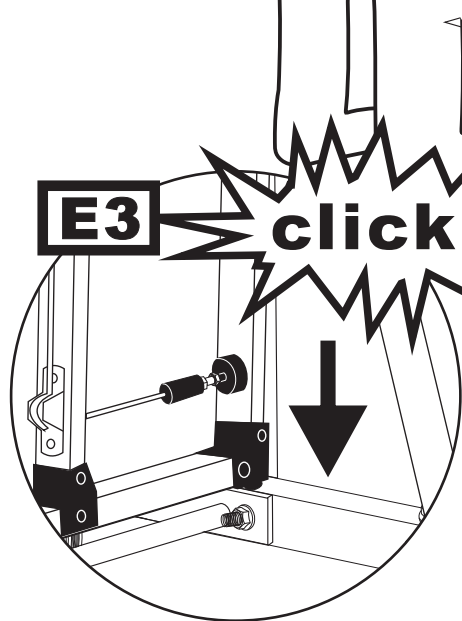
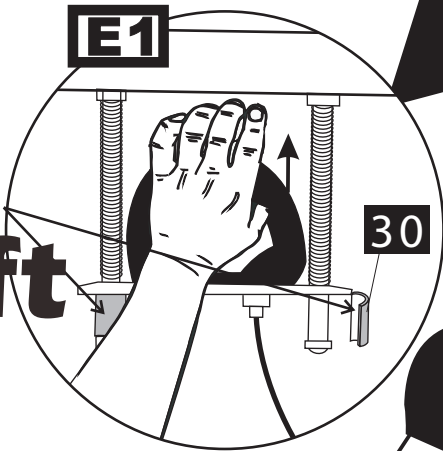
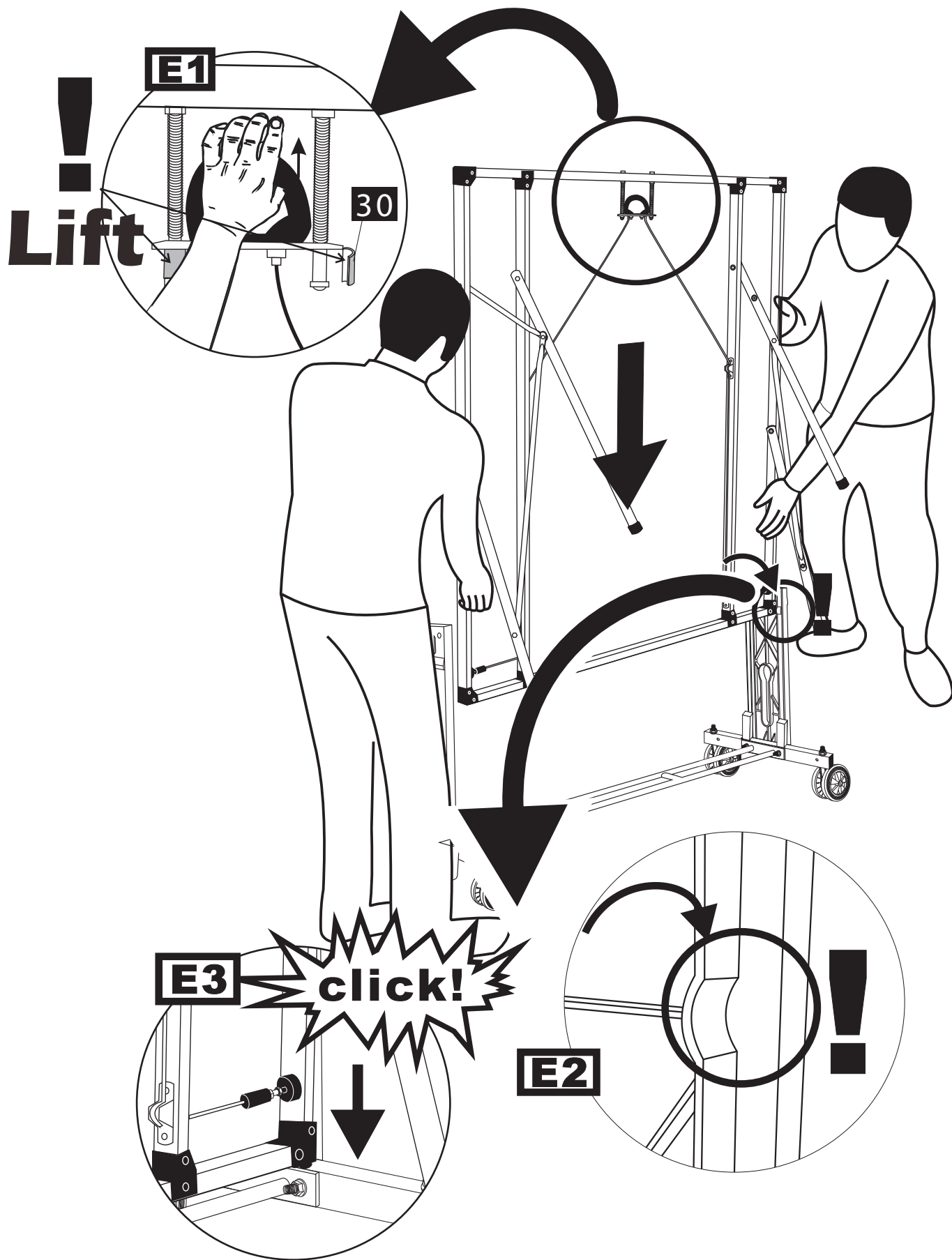
C3

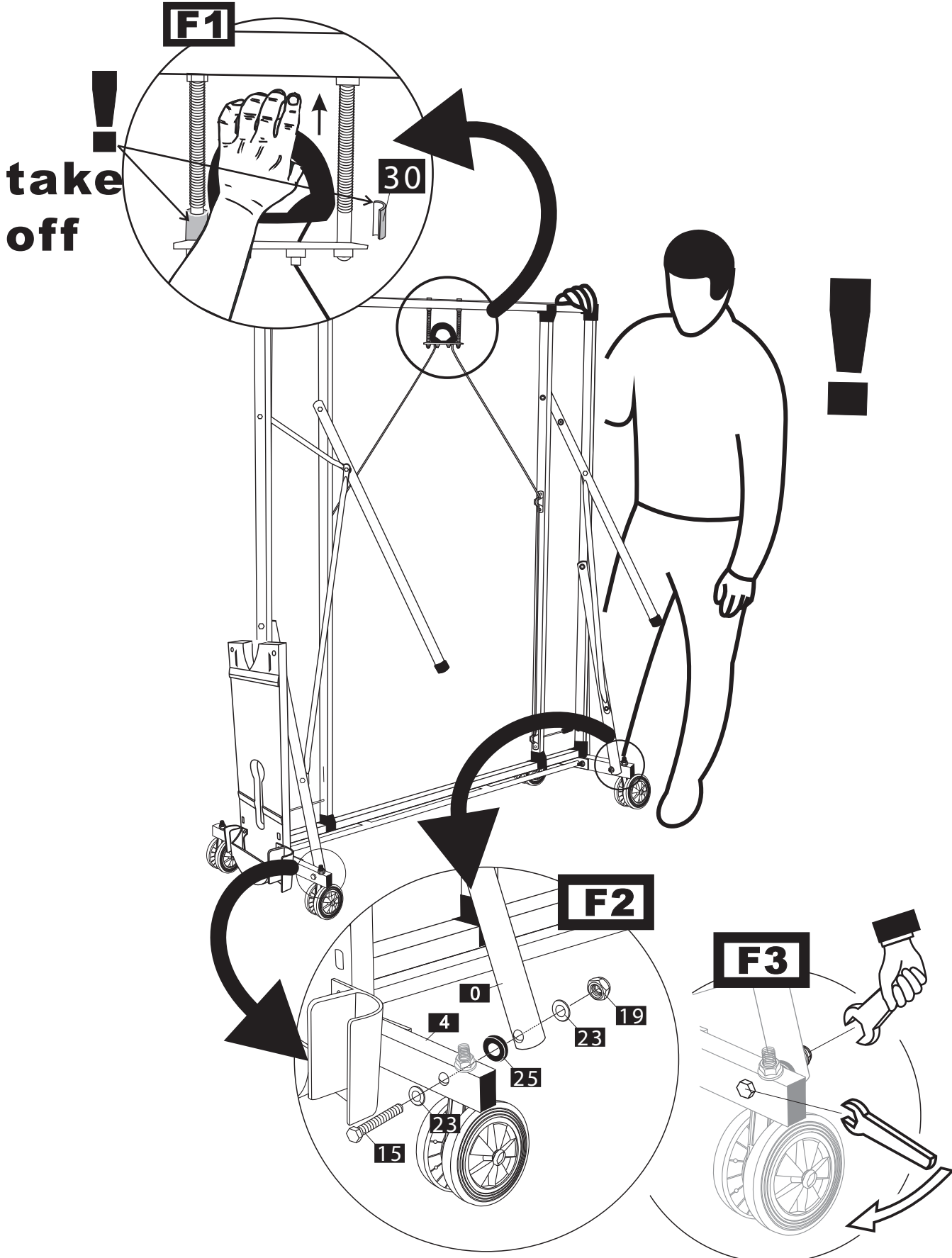
C2

C4

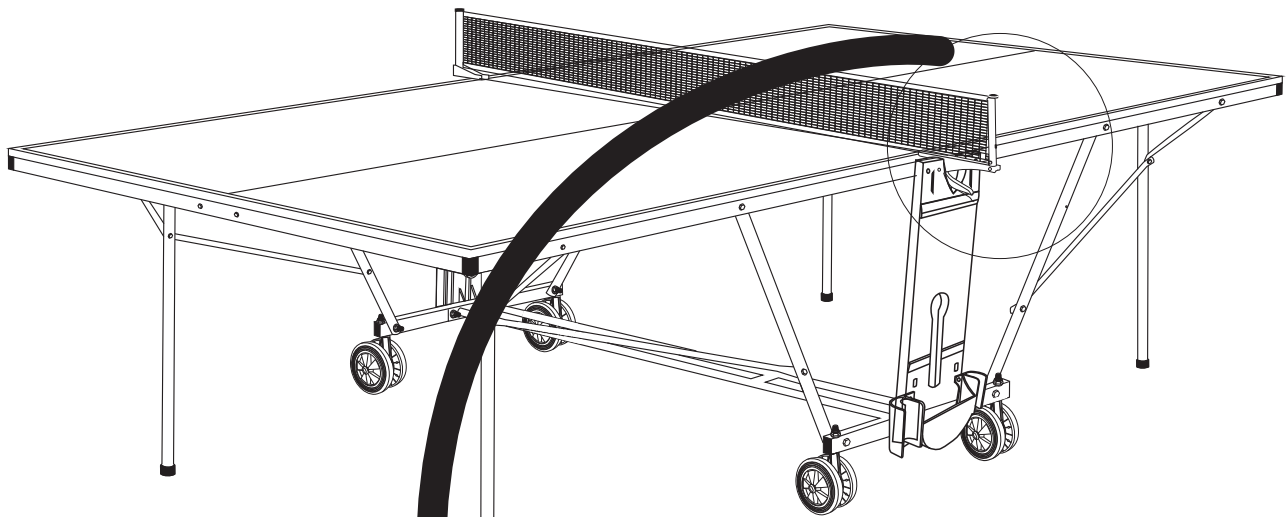
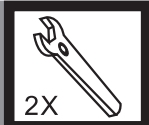
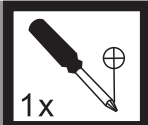
D



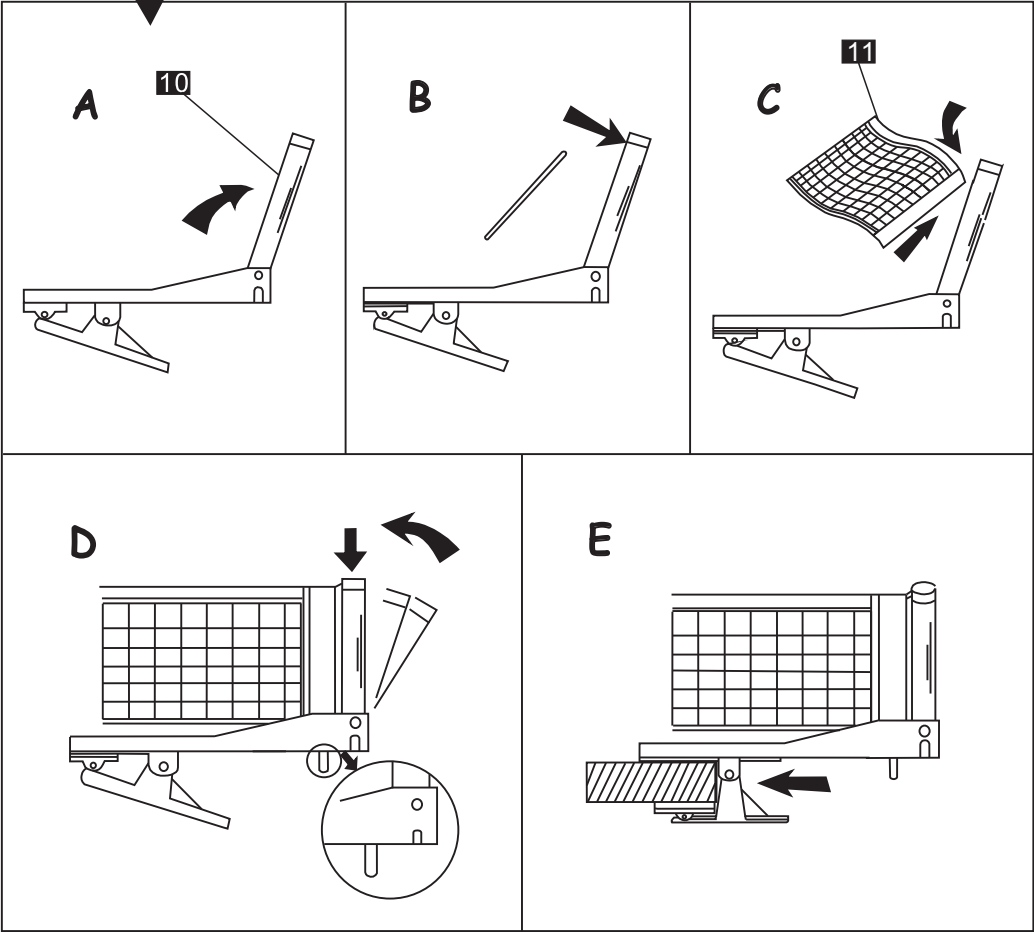




G



POST AND NET ASSEMBLY



Text Marks for the Assembly



Please repeat these assembly steps with the second table top.

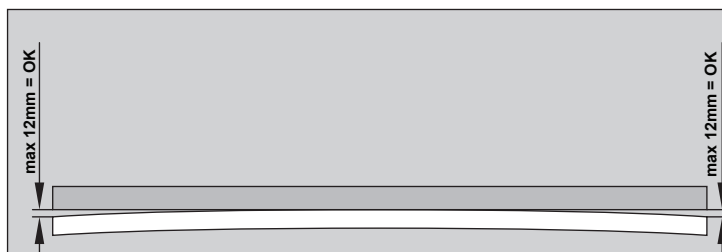
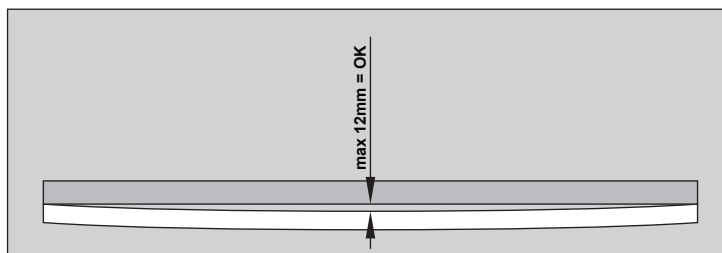
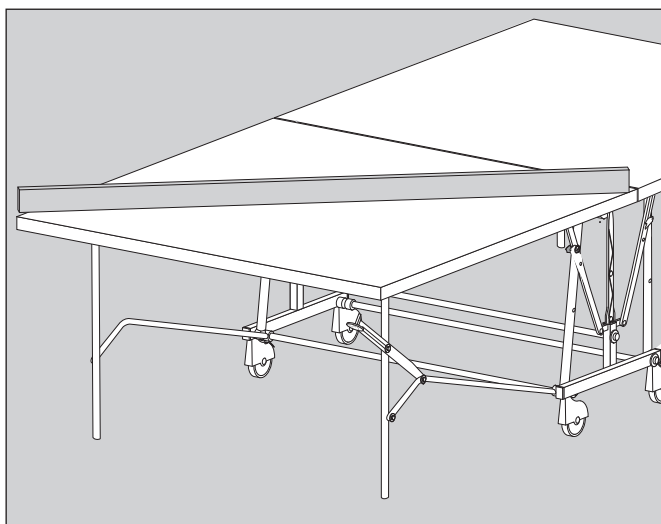


Go back to step C and assemble the second table top.



Upon completion of the assembly, please check all the working parts in accordance with the instructions on page 10.

Table Surface Tolerance



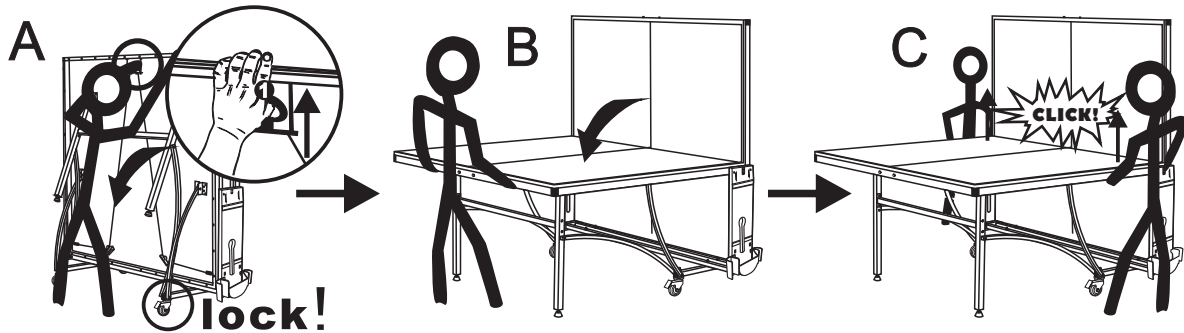
Caution: Follow the instructions carefully when handling the table.

Please fold the table away when your game is over.
DO NOT use corrosive or abrasive materials to clean the table. In most cases,
a damp cloth is sufficient. Specialist cleaning products are available.
FOR INDOOR AND OUTDOOR USE.

Open:

Adult supervision is required when folding and unfolding the table.

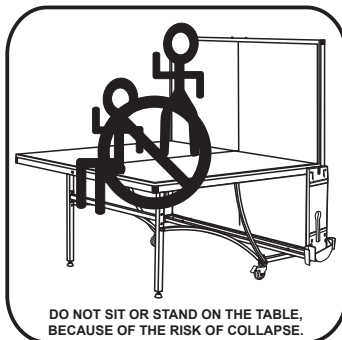
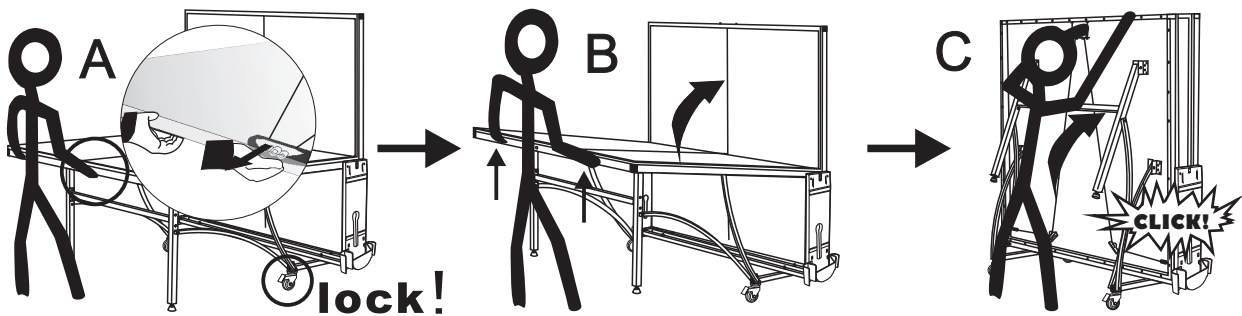
- A) Lift the handle to release; maintain this action whilst the tabletop is being lowered.
- B) Lower the tabletop into the game position. Do not allow it to fall, as this might cause damage or injury.
- C) For improved safety and a better playing experience check the second locking level is engaged. If not, raise the tabletop from each side of the net until it engages.
- D) Place the net & posts into position.



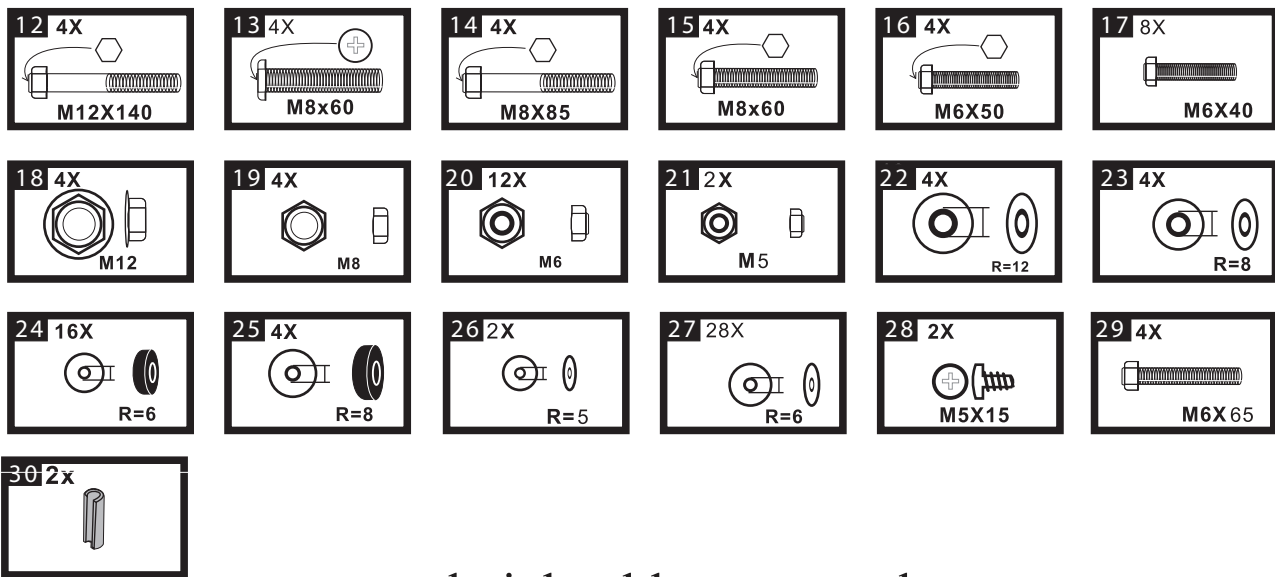
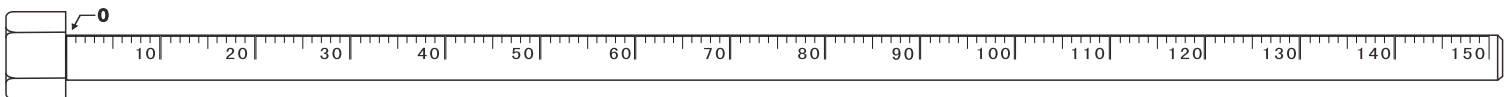
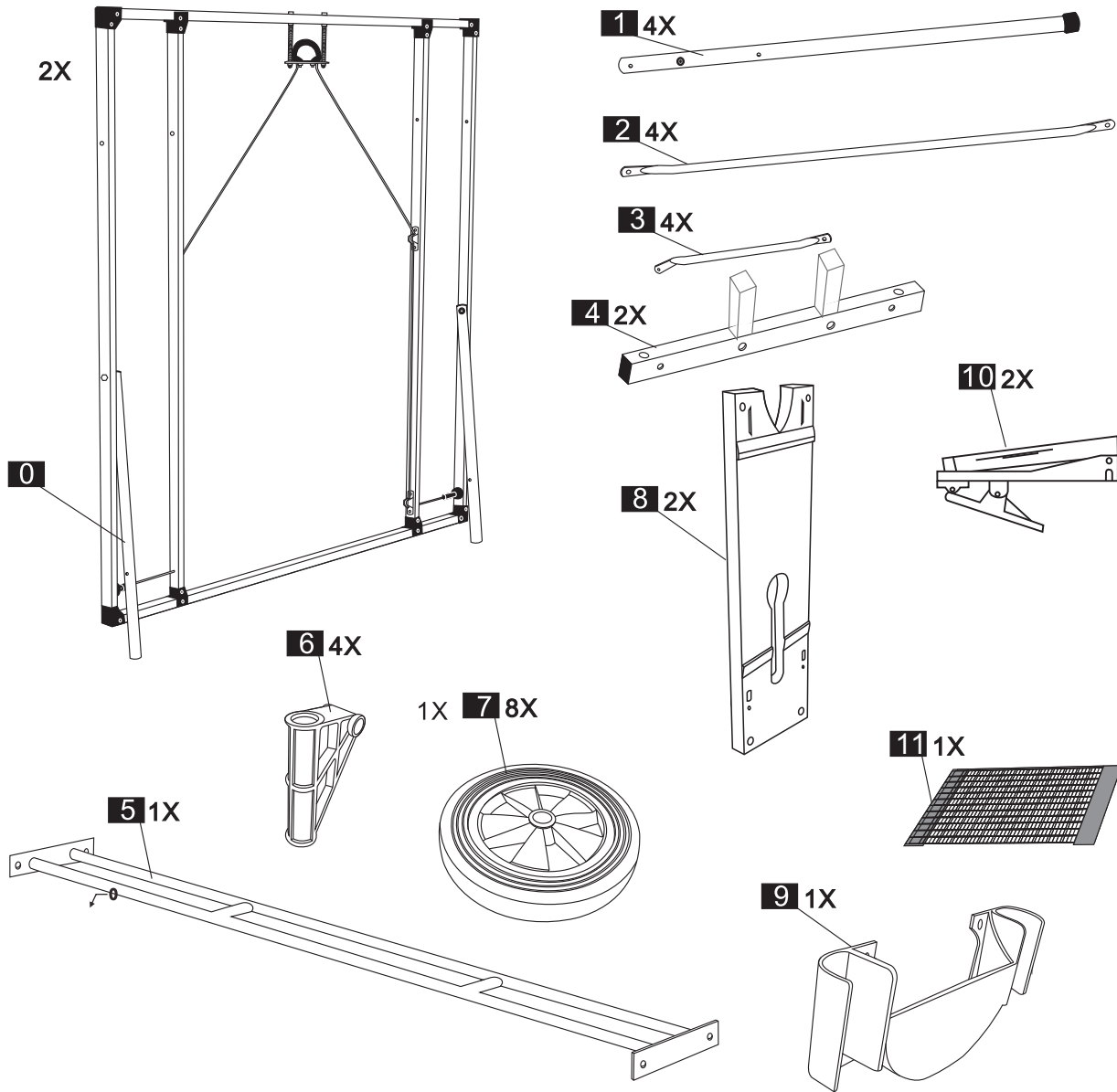
Close:

Adult supervision is required when folding and unfolding the table.

- A) Remove the net & posts
- B) Pull the handle under the tabletop to release; maintain this action whilst the tabletop is being lifted.
- C) Lift the tabletop up into its storage position.
- D) For your safety, check that the tabletop is properly locked.



The Guarantee does not cover any damage which occurs as a result of incorrect use.



www.knigttablesport.co.uk
 e-mail: sales@knigttablesport.co.uk